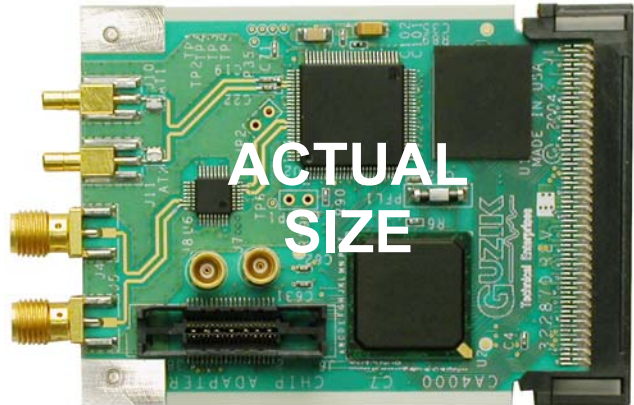


GUZIK PRODUCT BULLETIN

PRML Chip Adapter Interface 4000

PRML Chip Adapter 4000

- Data rate exceeding 4 Gb/sec
- Analog bandwidth exceeding 2 GHz
- Small PCMCIA form factor
- Installation through analog box front panel



The *Chip Adapter 4000* has data rate exceeding **4 Gb/sec** and supports the latest generation of high-speed PRML chips. The new architecture (*Figure 1*) integrates all critical components, including the pattern generator, error detector, and error file on a compact card. The centralized component location enables high-speed interface between a PRML chip and the pattern generator and also simplifies integration of future PRML chips. Open software interface and scripting language enable users to develop their own software.

The PCMCIA form factor allows the user to insert and remove the chip adapter card through the front panel of Analog Box ANA 2000A series (*Figure 2*), without opening the box enclosure (*Figure 3*). Existing Guzik RWA 2000 series testers can also be upgraded with the new *Chip Adapter Interface 4000*, which is required for the *Chip Adapter 4000*.

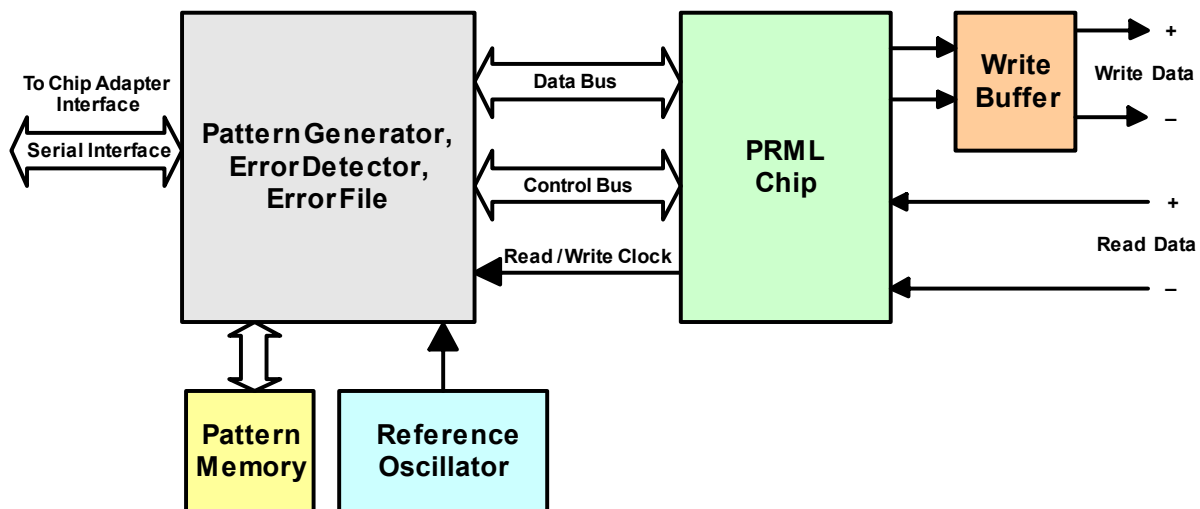


Figure 1: PRML Chip Adapter 4000 Block Diagram



2443 Wyandotte Street
Mountain View, CA 94043
Phone: (650) 625-8000
Fax: (650) 625-9325
E-mail: sales@guzik.com
<http://www.guzik.com/>



Figure 2: Guzik Analog Box ANA 2002A with Chip Adapter 4000

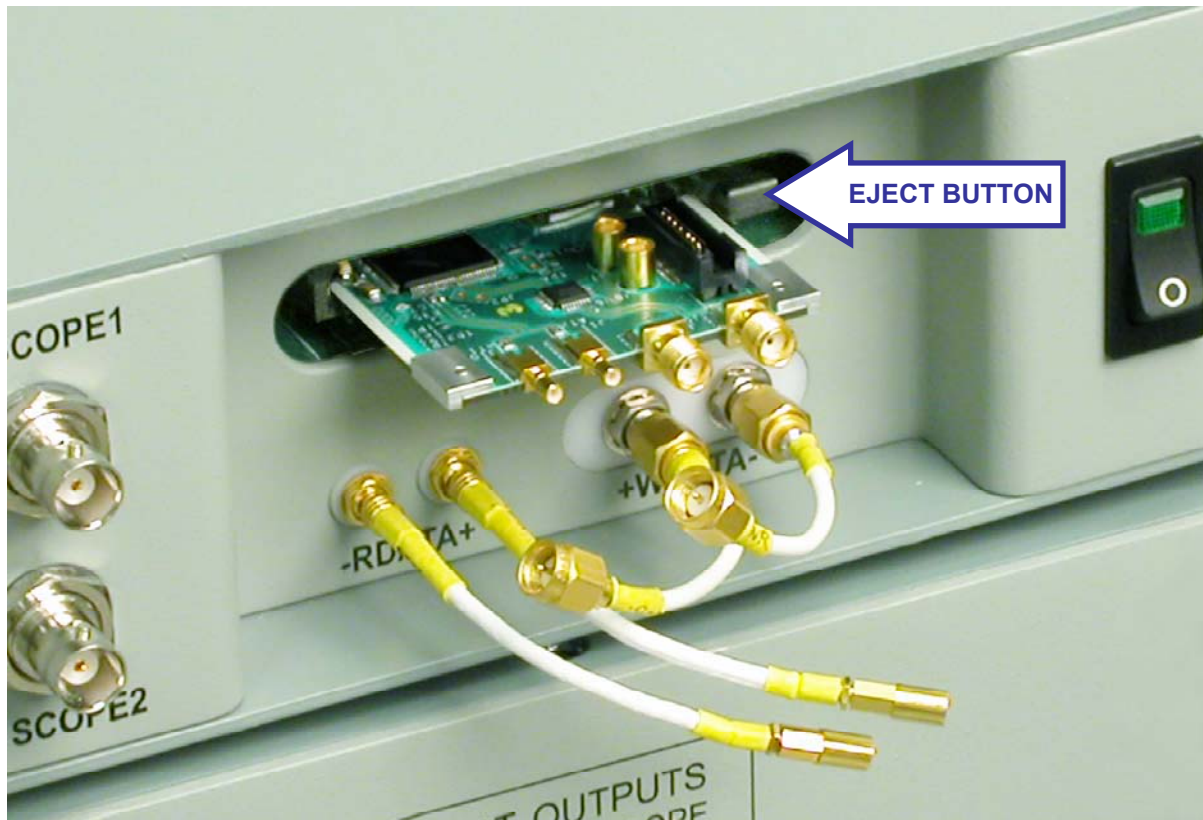


Figure 3: Removing Chip Adapter 4000 from Guzik Analog Box 2000A Series

